

# TWO-WAY SEALED HIGH-PERFORMANCE BUTTERFLY VALVE

## 双向密封高性能蝶阀

Scientific Technological Innovation  
Source of Prosperity



### 主要特点与用途

1. 阀门用于需要双向密封、频繁启闭、高可靠性要求的管道系统，特别适用于食品、饮料、医药、化工等纯净管路和石化、电力、冶金、交通、大型建筑等领域的重要管道，作启闭或调节介质流量用。
2. 阀门采用高性能复合材料密封副，或者堆焊合金钢密封副，耐腐蚀、零泄漏、长寿命。独创的浮动阀座结构确保了阀门的双向密封，彻底解决了偏心蝶阀只能单向密封的问题。本阀门既有三偏心蝶阀的所有优点，又具有高可靠的双向密封性能。
3. 阀门有法兰式和通用对夹式及凸耳朵对夹式等连接方式；有蜗轮手动、电动及气动三种驱动方式可供用户选择。选用电动蝶阀应在合同中详细注明电动装置的性能要求；选用气动蝶阀应在合同中注明所需配件明细，气动装置有电磁换向阀、气源三联件、信号盒、手动机构、定位器等配件可选择。

### Main Features and Uses

1. Valves are used in piping systems that require two-way sealing, frequent opening and closing, and high reliability. They are especially suitable for the pure pipelines such as food, beverage, medicine, chemical industry, petrochemical, electric power, metallurgy, transportation and large-scale construction. Pipe, for opening and closing or regulating medium flow.
2. Valve using high-performance composite materials sealed Deputy Division, or welding alloy steel seal pair, corrosion-resistant, zero leakage, long life. Original floating seat structure to ensure the two-way valve seal, completely solve the eccentric butterfly valve can only one-way sealing problem. This valve has all the advantages of three eccentric butterfly valve, but also has a high reliability of the two-way sealing performance.
3. Valve flange and the general-to-folder and convex ear-to-clip and other connections; a worm gear manual, electric and pneumatic three drive options available to users. Selection of electric butterfly valve should be specified in the contract in detail the performance requirements of electric devices; pneumatic valve should be used in the contract specified in the details of accessories, pneumatic devices have electromagnetic valve, air source triple, signal box, manual mechanism, positioning And other accessories can be selected.

### 产品标准 Product Standards

设计与制造 Design and manufacturing	结构长度 Structure length	法兰连接尺寸 Flange connection dimensions	试验与检验 Test and inspection
GB/T 12238 GB/T 8527	GB/T 12221	GB/T 9113	GB/T 13927

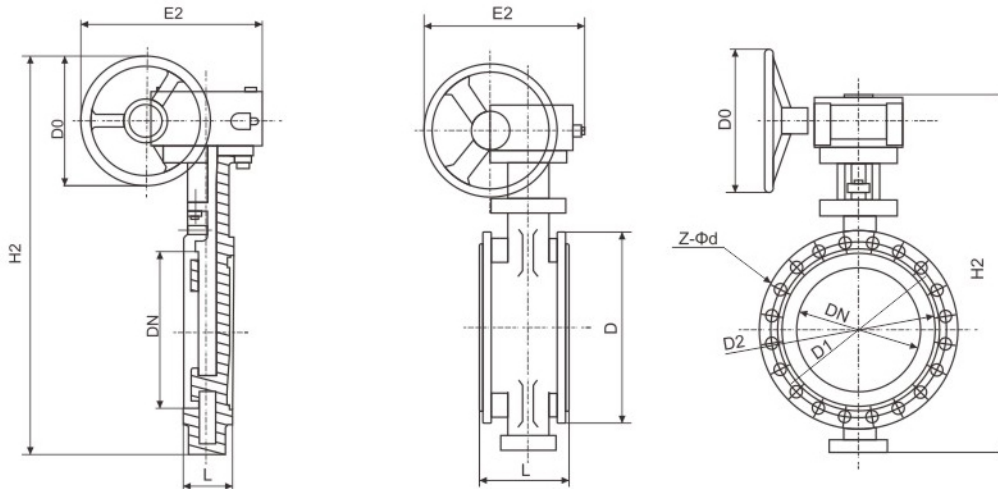
### 主要零部件材料及适用范围 Main Parts Materials and Scope of Application

适用介质 Applicable media	水、蒸汽、油品等 Water, steam, oil and so on		腐蚀性介质、纯净介质 Corrosive media, pure media	
适用温度 proper temperature	≤200°C			
材料 Material				
阀体 Body	铸钢 Cast steel		不锈钢 stainless steel CF8(CF8M)	
蝶板 Butterfly plate			不锈钢 stainless steel CF8(CF8M)	
密封圈 Sealing ring	高性能复合材料 High Performance Composites	密封面堆焊 Sealing surface welding	G型-高性能复合材料 High Performance Composites	H型-不锈钢 stainless steel 304(316)
阀杆 Stem	不锈钢 stainless steel (2Cr13)		不锈钢 stainless steel 304(316)	
填料 filler	柔性石墨 Flexible graphite		柔性石墨，聚四氟乙烯 Flexible graphite, polytetrafluoroethylene	

TWO-WAY SEALED HIGH-PERFORMANCE  
**BUTTERFLY VALVE**  
 双向密封高性能蝶阀



D3(6/9)4(7)5G(H)-10(16/25)C.P.R



**主要特点与用途 Main Features and Uses**

DN (mm)	外形尺寸 Dimensions					法兰连接尺寸 Flange connection dimensions								
	L		H2	E2	D0	PN1.0MPa			PN1.6MPa			PN2.5MPa		
	对夹	法兰				D	D1	Z-Φd	D	D1	Z-Φd	D	D1	Z-Φd
50	43	108	418	185	160	165	125	4-18	165	125	4-18	165	125	4-18
65	46	112	446	185	160	185	145	4-18	185	145	4-18	185	145	8-18
80	49	114	453	185	160	200	160	8-18	200	160	8-18	200	160	8-18
100	56	127	475	185	160	220	180	8-18	220	180	8-18	235	190	8-22
125	64	140	522	185	160	250	210	8-18	250	210	8-18	270	220	8-26
150	70	140	592	280	230	285	240	8-22	285	240	8-22	300	250	8-26
200	71	152	650	280	230	340	295	8-22	340	295	12-22	360	310	12-26
250	76	165	720	375	300	395	350	12-22	405	355	12-26	425	370	12-30
300	83	178	835	375	300	445	400	12-22	460	410	12-26	485	430	16-30
350	92	190	990	375	300	505	460	16-22	520	470	16-26	555	490	16-33
400	102	216	1060	400	350	565	515	16-26	580	525	16-30	620	550	16-36
450	114	222	1150	400	350	615	565	20-26	640	585	20-30	670	600	20-36
500	127	229	1230	496	400	670	620	20-26	715	650	20-33	730	660	20-36
600	154	267	1440	540	450	780	725	20-30	840	770	20-36	845	770	20-39
700	165	292	1550	540	450	895	840	24-30	910	840	24-36	960	875	24-42
800	190	318	1655	540	450	1015	950	24-33	1025	950	24-39	1085	990	24-48
900		330	1761	590	500	1115	1050	28-33	1125	1050	28-39	1185	1090	28-48
1000		410	2110	590	500	1230	1160	28-36	1255	1170	28-42	1320	1210	28-56