

采用标准 Adopt Standard

全径或缩径；
明杆支架式(OS&Y)；
自定心压板压套式；
螺栓连接、缠绕垫片密封式阀盖；
螺纹连接、全焊密封式阀盖，螺纹连接、
全焊密封式阀盖以及螺纹连接内压自紧式阀盖；
整体式上密座；
承插端符合ASME B16.11；
螺纹连接端(NPT)符合ANSI/ASME B1.20.1；
阀瓣可转换为节流型、针型、球型截止回阀。

Full diameter or shrinkage;
Open pole bracket type (OS&Y);
Self centering pressure sleeve;
Bolt connection and wound gasket sealing valve cover;
Threaded connection, all welded sealed bonnet, threaded connection,
Full welded sealed valve cover and internal pressure self sealing valve cover with screw connection;
Integral upper sealing seat;
The socket is in accordance with B16.11 ASME;
Threaded end (NPT) conforms to ANSI/ASME B1.20.1;
Disc can be converted into a throttle type, needle type, ball type box check valve.

锻钢截止阀有三种阀盖设计形式。第一种是螺栓式阀盖，按这种设计形式设计的阀门，其阀体与阀盖用螺栓连接，缠绕式垫片（304夹柔性石墨制造）或采用金属环连接密封。第二种设计形式是焊接式阀盖，按这种设计形式的阀门，其阀体与阀盖用螺纹连接，全焊密封。客户有特殊要求时也可采用全焊透连接。第三种是压力自紧式阀盖，按这种设计的阀门，其阀体与阀盖螺纹连接，内压自密封环密封。

Forged steel gate valve has three valve cover design. The first is screw Bolted bonnet, a valve designed in this form Bolted to the valve cover, wound gasket (304 clip flexible stone) Made of metal or metal ring seal. Second design forms The utility model relates to a welding type valve cover, which is designed according to the valve The body is connected with the valve cover by a screw thread. Customers have special Can also be used when full penetration welding connection. Third is the pressure self tightening type Valve cover, according to this design of the valve, the valve body and valve cover screw Internal pressure self sealing ring seal.



INTERNAL THREAD AND SOCKET WELDING GLOBE VALVE

内螺纹与承插焊截止阀

Scientific Technological Innovation
Source of Prosperity

应用规范 Application Standards	
设计制造 Design and Manufacture Conform	BS5352, MSS SP-118;
连接尺寸 Connection Ends Conform	1)承插口尺寸 Socket welded dimension conform: ANSI B16.11; JB/T 1751 2)螺纹端尺寸 Screw ends dimension conform: ANSI B1.20.1; JB/T7306 3)对焊端尺寸 Butt-welded conform: ANSI B16.25; JB/T12224 4)法兰端尺寸 Flange ends conform: ANSI B16.5; JB79
检查和试验 Test and Inspection Conform	API598; GB/T13927; JB/T9092
结构特性 Structure Features	螺纹连接阀盖(B.B)和明杆支架(OS & Y) Bolted bonnet, outside screw and yoke Welded bonnet, outside screw and yoke
材料标准 Material Conform	ANSI/ASTM
主体材料 Main Material	A105; LF2; F5; F11; F22; 304(L); 316(L); F347; F321; F51; Monel; 20 Alloy合金等。

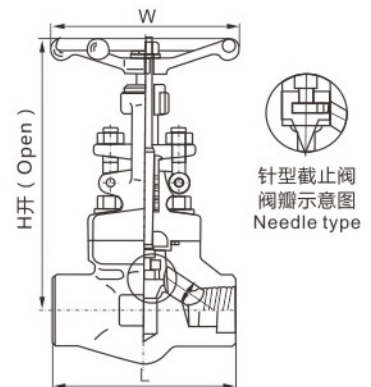


碳钢温压等级 Carbon steel temperature-pressure rate

CL 150-285 PS.I @ 100°F CL 300-740 PS.I @ 100°F CL600-1480 PS.I @ 100°F
CL 800-1975 PS.I @ 100°F CL 1500-3705 PS.I @ 100°F

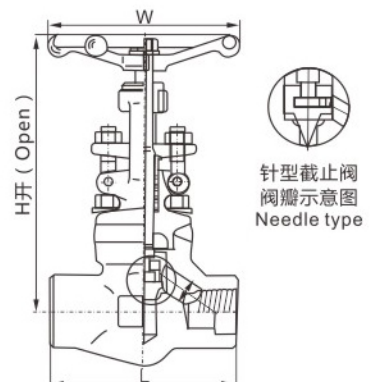
焊接连接阀盖，缩径和全径，明杆支架(OS & Y)末端连接为螺纹或承插焊或对焊，设计按BS5352
Welded bonnet, full port& reducing port outside screw and yoke(OS & Y)Threaded, butt-welded or socket welded ends; design to BS5352

CL800										
规格(NPS) Specification	R.P	-	1/2	3/4	1	1 1/4	1 1/2	2	2 1/2	3
	F.P	1/4	3/8	1/2	3/4	1	1 1/4	1 1/2	2	2 1/2
结构长度(mm) Face to face	L	79	79	92	111	120	152	172	200	
手轮直径(mm) Hand wheel diameter	W	100	100	100	125	160	160	180	200	
中心高度(开)(mm) Height	H	164	164	164	203	260	260	300	355	
流道孔径(mm) Flow port dimension	d	7	9	13	17.5	30	30	35	46	
重量Weight(kg)		-	-	-	-	-	-	-	-	



焊接连接阀盖，缩径和全径，明杆支架(OS & Y)末端连接为螺纹或承插焊或对焊，设计按BS5352
Welded bonnet, full port& reducing port outside screw and yoke(OS & Y)Threaded, butt-welded or socket welded ends; design to BS5352

CL900-CL1500										
规格(NPS) Specification	R.P	-	1/2	3/4	1	1 1/4	1 1/2	2	2 1/2	3
	F.P	1/4	3/8	1/2	3/4	1	1 1/4	1 1/2	2	2 1/2
结构长度(mm) Face to face	L	79	79	92	111	120	152	172	200	
手轮直径(mm) Hand wheel diameter	W	100	100	100	125	160	160	180	200	
中心高度(开)(mm) Height	H	164	164	164	203	224	260	300	355	
流道孔径(mm) Flow port dimension	d	7	9	13	17.5	23	30	35	46	
重量Weight(kg)		-	-	-	-	-	-	-	-	



应用规范 Application Standards	
设计制造 Design and Manufacture Conform	BS5352, MSS SP-118;
连接尺寸 Connection Ends Conform	1)承插口尺寸 Socket welded dimension conform: ANSI B16.11; JB/T 1751 2)螺纹端尺寸 Screw ends dimension conform: ANSI B1.20.1; JB/T7306 3)对焊端尺寸 Butt-welded conform: ANSI B16.25; JB/T12224 4)法兰端尺寸 Flange ends conform: ANSI B16.5; JB79
检查和试验 Test and Inspection Conform	API598; GB/T13927; JB/T9092
结构特性 Structure Features	螺栓连接阀盖(B.B)和明杆支架(OS & Y) Bolted bonnet, outside screw and yoke Welded bonnet, outside screw and yoke
材料标准 Material Conform	ANSI/ASTM
主体材料 Main Material	A105; LF2; F5; F11; F22; 304(L); 316(L); F347; F321; F51; Monel; 20 Alloy合金等。

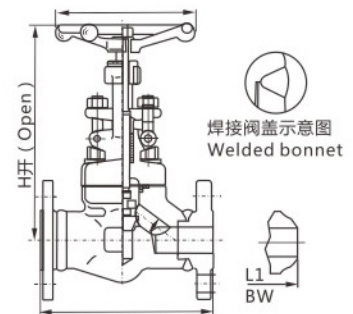


碳钢温压等级 Carbon steel temperature-pressure rate

CL 150-285 P.S.I @ 100°F CL 300-740 P.S.I @ 100°F CL600-1480 P.S.I @ 100°F
CL 800-1975 P.S.I @ 100°F CL 1500-3705 P.S.I @ 100°F

螺栓连接阀盖, 缩径, 明杆支架(OS & Y)末端连接为连接法兰或对焊连接, 设计按 BS5352
Bolted bonnet, reducing port outside screw and yoke(OS & Y)Flange or butt-welding design to Bs5352

CL150-300-600			R.P	1/4	3/8	1/2	3/4	1	1 1/4	1 1/2	2
规格(NPS)Specification											
结构长度(mm) Face to face	CL150	L(RF) L1(BW)	-	-	108	117	127	140	165	203	
	CL300		-	-	152	178	203	216	229	267	
	CL600		-	-	165	190	216	229	241	292	
手轮直径(mm)Hand wheel diameter		W	-	-	100	100	125	160	160	180	
中心高度(开)(mm) Height	CL150/CL300	H	-	-	180	184	217	224	260	300	
	CL150		-	-	164	164	203	224	260	300	
流道孔径(mm)Flow port dimension		d	-	-	9	13	17.5	23	30	35	
重量Weight(kg)	CL150	RF	-	-	3.45	4.00	6.19	9.6	10.5	17	
		BW	-	-	2.3	3.6	7.8	8.2	12.0	15.0	
	CL300	RF	-	-	3.8	5.1	7.2	12	13.5	19.7	
		BW	-	-	2.8	4.0	12.5	9.2	12.6	16.8	
	CL600	RF	-	-	2.6	7.8	8.5	17	23.5	38.8	
		BW	-	-	3.4	4.7	9.2	10.5	13.3	18.9	



螺栓连接阀盖(RJ), 全径, 明杆支架(OS & Y)末端连接为焊接法兰或对焊连接, 设计按BS5352
Bolted bonnet, full port outside screw and yoke(OS & Y)Flange-welded or butt-welded ends; design toBS5352

CL900-CL1500			F.P	1/4	3/8	1/2	3/4	1	1 1/4	1 1/2	2
规格(NPS)Specification											
结构长度(mm) Face to face	L(RF),L1(BW)	-	-	216	229	254	279	305	368		
	L(RTJ)	-	-	216	229	254	279	305	371		
手轮直径(mm) Hand wheel diameter	W	-	-	125	125	160	160	180	200		
中心高度(开)(mm) Height	H	-	-	207	207	230	160	300	355		
流道孔径(mm) Flow port dimension	d	-	-	12	15	20	28	32	40		
重量Weight(kg)		-	-	11	13.2	17.4	19	24.5	31		

